

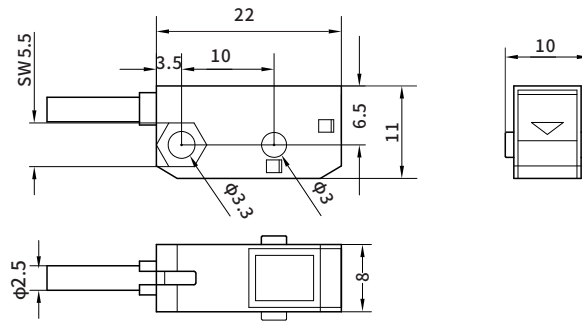
DPSJ系列 DPSJSeries



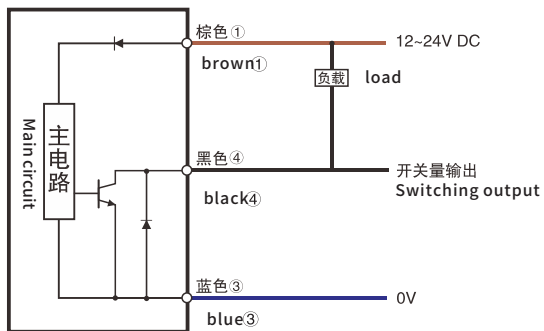
型号 Model	
NPN L.on	DPSJ-T150NO
PNP L.on	DPSJ-T150PO
基本特点 Basic Features	
工作原理 Working principle	光电传感器 Photoelectric Sensors
外壳样式 Enclosure style	方型 Square
光学工作原理 How optics work	对射 Counter-shooting
检测距离 Detection distance	1500mm (固定) 1500mm (fixed)
光斑尺寸 Spot size	不适用(红外光) N/A (Infrared)
检测物 Detection	Ø6mm
光源 Light source	红外光 850nm (调制) Infrared 850nm (modulated)
指示灯 Light	输出功能: 黄色 LED (接收器), 操作状态: 绿色 LED (发射器) Output function: Yellow LED (receiver), Operating status: Green LED (transmitter)
灵敏性调节 Sensitivity regulation	无 None
电气数据 Electrical Data	
开关模式 Switch mode	L.on(入光动作)/D.on(遮光动作) 型号可选 Light.on(light action) / Dark.on (light blocking action) can be switched
输出模式 Output mode	NPN或PNP集电极开路 NPN or PNP open collector
响应时间 Response time	3.3ms
开关频率 Switching frequency	0.06 kHz
重复精度 Repeatability	/
迟滞(回差/应差) Hysteresis/Return Response	/
工作电压 Operating voltage	12~24V DC
消耗电流 Current consumption	发射端 ≤20mA; 接收端 ≤20mA Transmitter ≤ 20mA; The receiver ≤ 20mA
残余电压 Residual voltage	≤2.0V (50mA)
负载电流 Load current	≤50mA (24VDC)
绝缘电阻 Insulation resistance	电源端子与外壳之间 ≥20MΩ (500VDC) Between power terminal and housing ≥20MΩ (500VDC)
耐压 Resistance	1000VAC (50/60Hz), 1 分钟电源端子和外壳之间 1000VAC (50/60Hz), 1 minute between power terminal and housing
保护电路 Protection circuits	反极性保护/短路保护 Reverse polarity protection/short circuit protection
环境条件 Environmental Conditions	
工作环境温度 Operating ambient temperature	-20~50°C (无冻结) -20~50°C (no freezing)
储存温度 Storage temperature	-30~70°C (无冻结) -30~70°C (no freezing)
工作环境湿度 Humidity of the working environment	35~90%RH (无凝露) 35~90%RH (no condensation)
储存湿度 Store humidity	35~90%RH (无凝露) 35~90%RH (no condensation)
环境照度 Ambient illumination	白炽灯 ≤3000 Lux; 太阳光 ≤10000 Lux Incandescent lamp ≤ 3000 Lux; Sunlight ≤ 10000 Lux
抗振性 Anti-vibration	10~50Hz, 1.5mm 振幅, X、Y、Z 三个方向各2h 10~50Hz sweep, 1.5mm amplitude, XYZ 3 directions for 2 hours each
防护等级 Ingress protection	IP64
机械数据 Mechanical Data	
最大拧紧扭矩 Maximum tightening torque	≤0.5Nm
连接方式 Connection	2m/3芯电缆 2m/3 core cable
尺寸(宽x高x深) Size	10.0x22.0x11.0mm
材料 Material	PC/ABS
重量 Weight	0.042kg
配件 Fittings	无 None

DPSJ系列 DPSJSeries

尺寸规格 Dimensions


 单位: mm
Unit: mm

接线示意图 Wiring Diagram

NPN输出 NPN output

PNP输出 PNP output
